

Standard Semi-electric Stacker SPN15/15C

1KG=2.2LB 1INCH=25.4MM

		SPN1516	SPN1525	SPN1530	SPN1535	
Distinguishing mark	1.2	Manufacturer's type designation				
	1.3	Power (battery ,diesel, petrol, gas, manu)				
	1.4	Operator type				
	1.5	Q(t)	1.5			
	1.6	c(mm)	600			
	1.8	x(mm)	808	802		
Weight	1.9	Y(mm)	1225			
	2.1	kg	440	518	543	567
	2.2	kg	620/1320	674/1344	690/1353	707/1360
	2.3	kg	290/150	344/174	360/183	377/190
	Tires, chassis	3.1	nylon/polyurethane			
		3.2	Φ w (mm)	Φ180x50		
3.3		Φ w (mm)	Φ74x93			
3.4		Φ w (mm)	Φ180x50			
3.5			2/2			
3.6		b10 (mm)	740			
3.7		b11 (mm)	400			
Dimensions	4.2	h1 (mm)	1978	1778	2028	2278
	4.3	h2 (mm)	/			
	4.4	h3 (mm)	1600	2500	3000	3500
	4.5	h4 (mm)	1978	2991	3491	3991
	4.9	h14 (mm)	770/1153			
	4.15	h13 (mm)	83			
	4.19	l1 (mm)	1778	1786		
	4.20	l2 (mm)	628	636		
	4.21	b1 (mm)	844			
	4.22	s/e/l (mm)	60/180/1150			
	4.25	b5 (mm)	570			
	4.32	m2 (mm)	28			
	4.33	Ast (mm)	2230			
4.34	Ast (mm)	2175				
4.35	Wa (mm)	1400				
Performance data	5.2	m/s	0.07/0.15			
	5.3	m/s	0.14/0.11			
	5.10		manua			
	6.2	kW	1.6			
	6.3		no			
6.4	V/Ah	12/150				
6.5	kg	46				

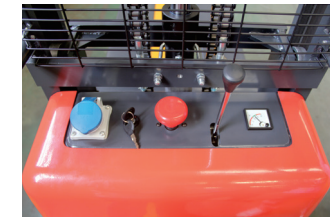
STANDARD SEMI-ELECTRIC STACKER

SPN15/15C Series (C= Economic Version)

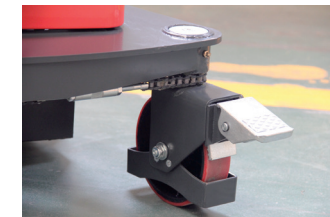
INTRODUCTION

The SPN15 series semi-electric stacker is the cost-effective choice for short-distance transportation and stacking applications, with 1500kg capacity and lifting height from 1600mm up to 3500mm. With its compact and smart design, it is easy to maneuver and ideal to be used in confined spaces esp. narrow aisles.

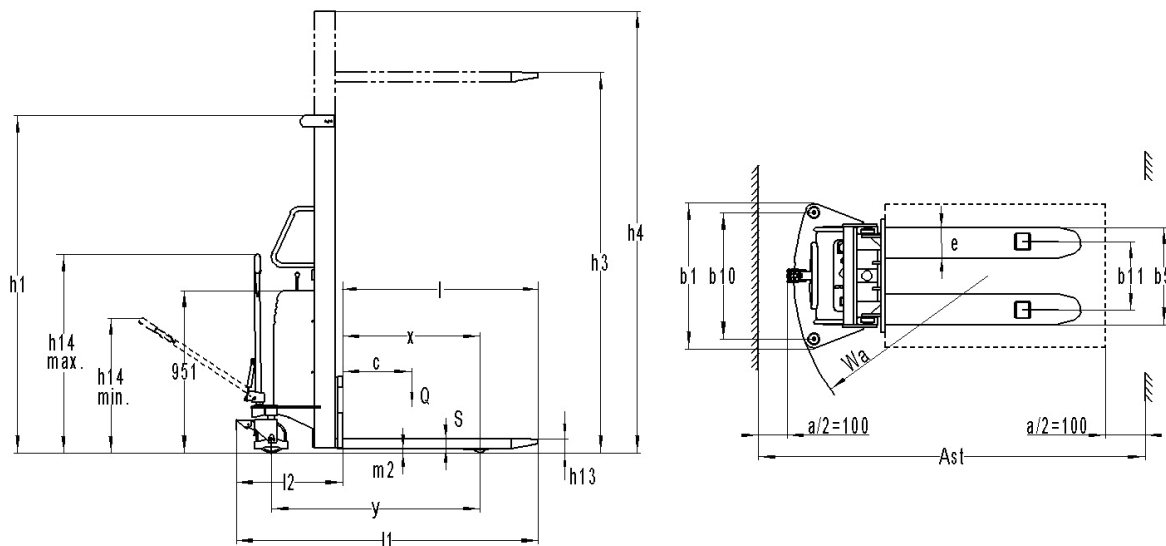
Sturdy and reliable high quality channel-steel mast and solid base, with integrated steel electric box cover, makes the stacker the most robust to avoid any damages to increase the service life. Easy approach to all internal parts by unscrewing 4 screws at the cover for easy maintenance



Precise lifting and lowering via hand lever. Battery cut-off switch prevents unauthorized use.



Additional protection for the operator through foot protection on the steering rollers. Safe parking in any situation with mechanical parking brake.



Manual & Semi-Electric Stacker